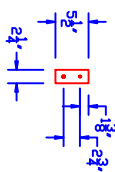


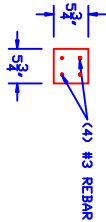
95" RAIL APPROX WEIGHT 73 LBS.



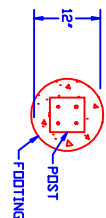
RAIL SECTION

NOTES:

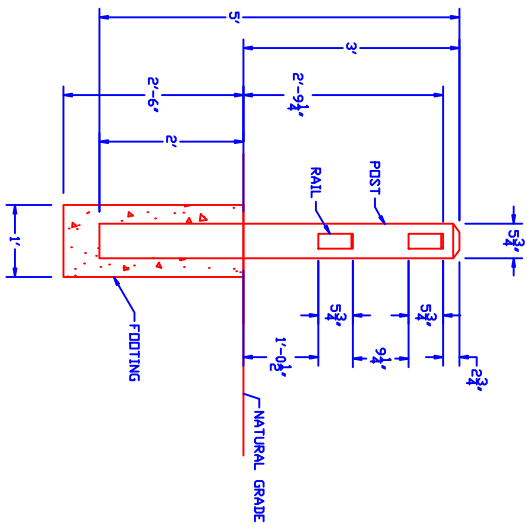
1. ALL CONCRETE TO BE MINIMUM COMPRESSIVE STRENGTH OF 4000 PSI AT 28 DAYS.
2. PRIMARY REINFORCEMENT TO BE ASLAN #3 SYNTHETIC REBAR REINFORCEMENT.
3. SECONDARY REINFORCEMENT TO BE MICROFIBER REINFORCEMENT.



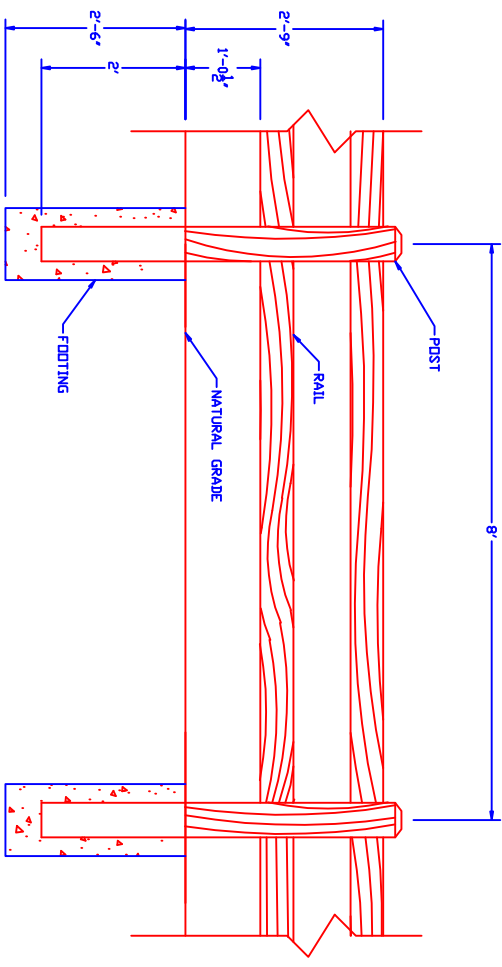
60" POST - APPROX. WEIGHT 121 LBS.



FOOTING



2 RAIL FENCE SECTION



2 RAIL 8 FT. SPACING FENCE ELEVATION

Phoenix Precast Products

2 RAIL FENCE - 8 FT. SPACING

Drawn By: E.S.

Date: 1.28.2014

Scale: 3/8" = 1'